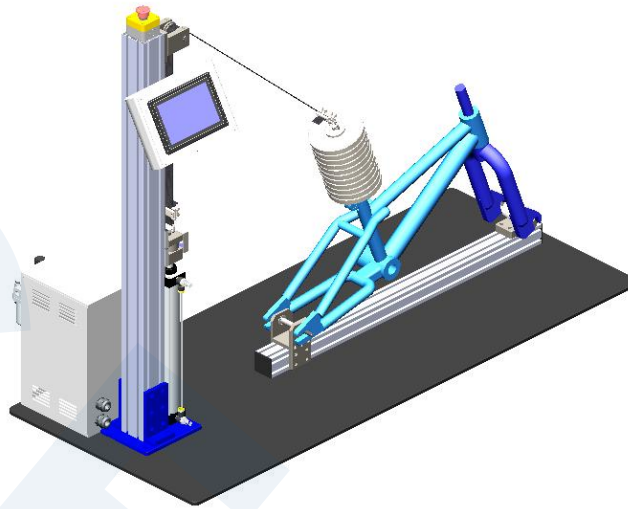


## Product Presentation



## Application

The machine is suitable for children bicycle frame/front fork assembly impact test.

## Standards

ISO 8098, GB 8098

## Key Specification

Working position	1
Sample	bicycle frame/front fork assembly
Saddle pipe load capacity	30 kg accumulation
Roller	diameter $\Phi$ 150 mm R200mm
Counter	0 ~ 999 999 times, can be set
Controller	PLC + touch screen control
Air source	7 KGF/cm $\wedge$ 2
Power supply	1 $\phi$ AC 220V 50Hz 3A
Dimension (WxDxH)	165x70x130cm
Weight (about)	$\approx$ 200kg